

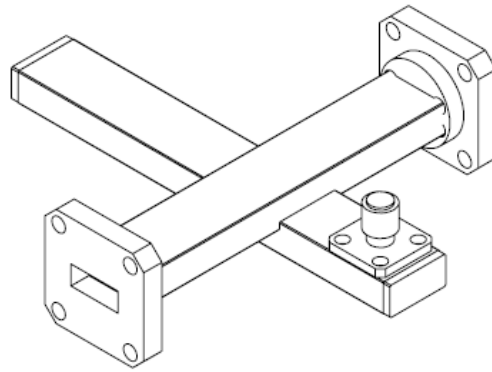


RF Components

Model Number:
WGC-XX-197042

Ka-Band Cross Guide Coupler

27.5 - 30 GHz



Specification			
WG Size	WG22 / WR28 / R320		
Coupling	20±1.5 dB	30±1.0 dB	40±1.0 dB
Frequency Range	26.50-40.00 GHz		
Finish	Brass Flanges Copper WG Black Paint		
Flange Options	UG 40B/U (UG) / UG39/U (UF) CBR 100 (CB) / PBR 100 (PB) UBR 100 (UB) / UG39/U (US)		
RF Connector Options	50 Ω K-type 2.92mm Male (K4) / Female (K5)		
Main Line VSWR / Return Loss (max)	1.3:1 / 17.4	1.2:1 / 20.4	1.05:1 / 32.3
Directivity (typ)	20 dB	20 dB	20 dB
Dimensions	A-75mm B-50mm C-5mm		

Model Numbers						
Example: WGC-20-197042-UBPB N5						
WG	C	20	197042	UB	PB	N5
Waveguide	C-Cross Guide D-Dual Arm B-Broad wall	Coupling Factor	Model Number	Flange 1	Flange 2	RF connector

Broadcast



Marine Oil & Gas



SNG & VSAT



Satellite Teleport

